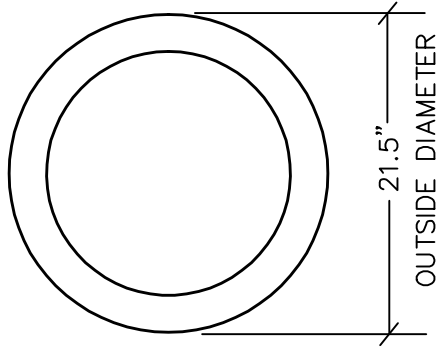
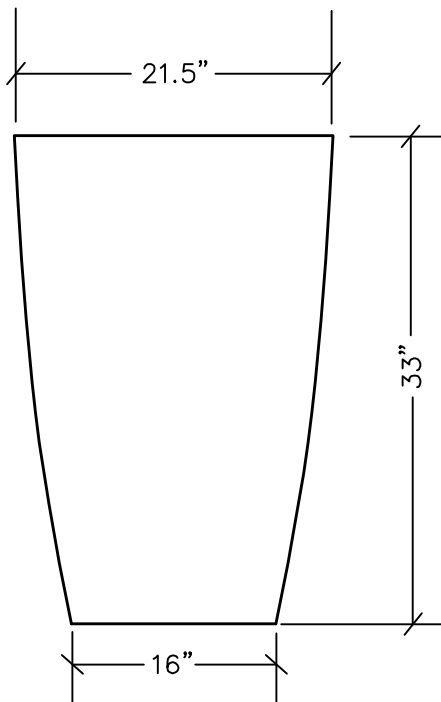


RALEIGH RECEPTACLE
MODEL NUMBER 7R-2133T

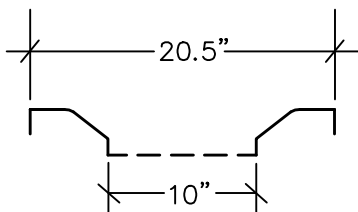
RECEPTACLE



TOP VIEW

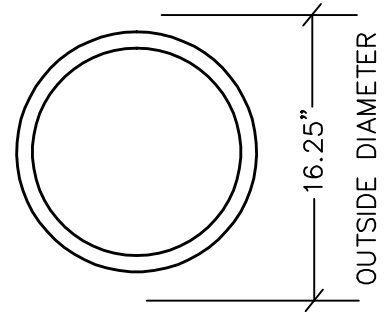


SIDE VIEW



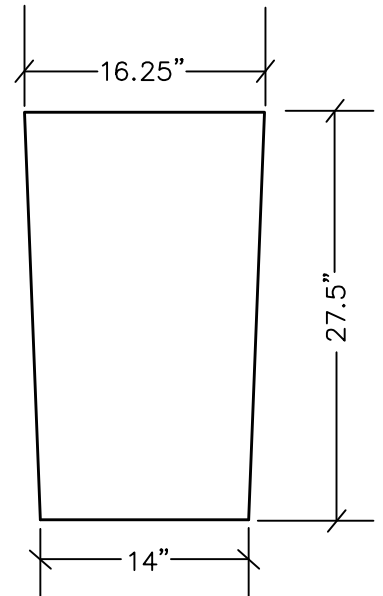
INSERTS

LINER



TOP VIEW

LINER



SIDE VIEW

